

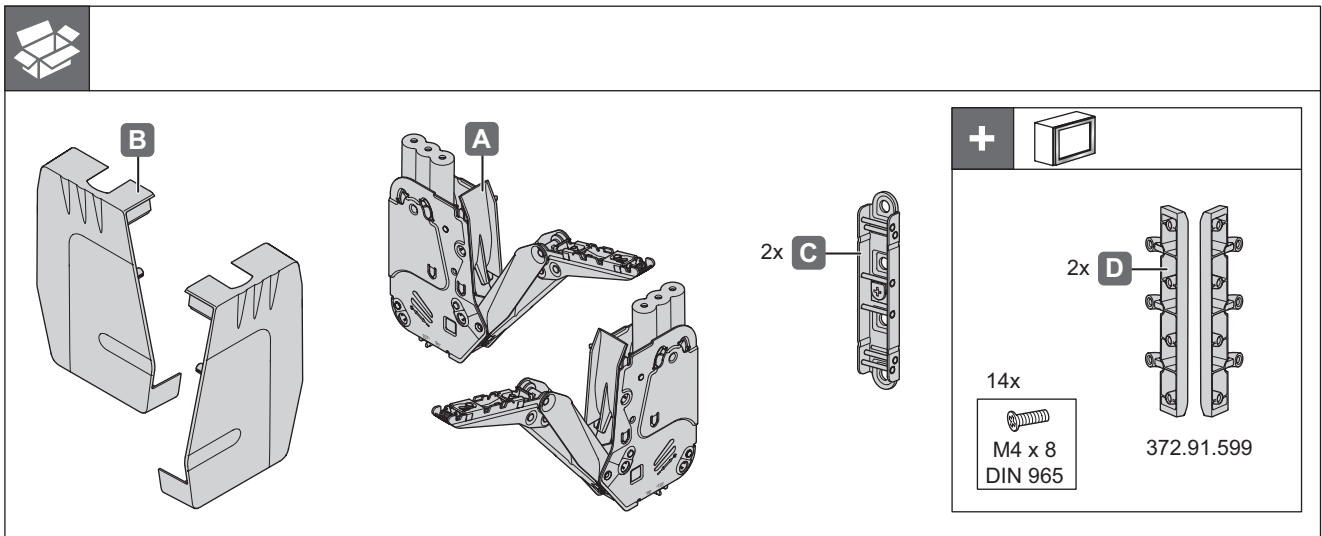


Free Flap 3.15

www.hafele.com

372.91.xxx

#W7Q



732.23.010

| | | | | RAL 9003 | RAL 7035 | RAL 9003 | RAL 7035 |
|-----|-----|------------|-------------|------------|------------|------------|------------|
| | 400 | D | 4,7 - 9,6 | 372.91.730 | 372.91.330 | 372.91.710 | 372.91.310 |
| | | E | 5,9 - 12,4 | 372.91.731 | 372.91.331 | 372.91.711 | 372.91.311 |
| | | F | 8,9 - 18,6 | 372.91.732 | 372.91.332 | 372.91.712 | 372.91.312 |
| | 450 | G | 11,8 - 23,3 | 372.91.733 | 372.91.333 | 372.91.713 | 372.91.313 |
| | | D | 4,1 - 8,4 | 372.91.730 | 372.91.330 | 372.91.710 | 372.91.310 |
| | | E | 5,2 - 10,9 | 372.91.731 | 372.91.331 | 372.91.711 | 372.91.311 |
| | 500 | F | 7,8 - 16,3 | 372.91.732 | 372.91.332 | 372.91.712 | 372.91.312 |
| | | G | 10,4 - 20,5 | 372.91.733 | 372.91.333 | 372.91.713 | 372.91.313 |
| | | D | 3,7 - 7,5 | 372.91.730 | 372.91.330 | 372.91.710 | 372.91.310 |
| | 550 | E | 4,7 - 9,7 | 372.91.731 | 372.91.331 | 372.91.711 | 372.91.311 |
| | | F | 7,0 - 14,6 | 372.91.732 | 372.91.332 | 372.91.712 | 372.91.312 |
| | | G | 9,2 - 18,3 | 372.91.733 | 372.91.333 | 372.91.713 | 372.91.313 |
| 600 | D | 3,3 - 6,8 | 372.91.730 | 372.91.330 | 372.91.710 | 372.91.310 | |
| | E | 4,2 - 8,8 | 372.91.731 | 372.91.331 | 372.91.711 | 372.91.311 | |
| | F | 6,3 - 13,2 | 372.91.732 | 372.91.332 | 372.91.712 | 372.91.312 | |
| | G | 8,3 - 16,5 | 372.91.733 | 372.91.333 | 372.91.713 | 372.91.313 | |
| | D | 3,0 - 6,2 | 372.91.730 | 372.91.330 | 372.91.710 | 372.91.310 | |
| | E | 3,8 - 8,0 | 372.91.731 | 372.91.331 | 372.91.711 | 372.91.311 | |
| | F | 5,7 - 12,0 | 372.91.732 | 372.91.332 | 372.91.712 | 372.91.312 | |
| | G | 7,6 - 15,0 | 372.91.733 | 372.91.333 | 372.91.713 | 372.91.313 | |

12.0001.010.380.0000.00

HDE 19.12.2012

i

| Y | X |
|----|----|
| 16 | 83 |
| 19 | 74 |
| 22 | 64 |
| 26 | 52 |
| 28 | 46 |

„mm“

1

„mm“

2

5 mm

9 mm

„mm“

i

i

$* B = A - 5,5$
 $B \text{ min.} = 7,0$
 $B \text{ max.} = 13,5$

$A = K - F$

Euro $\varnothing 6,3$

732.23.010

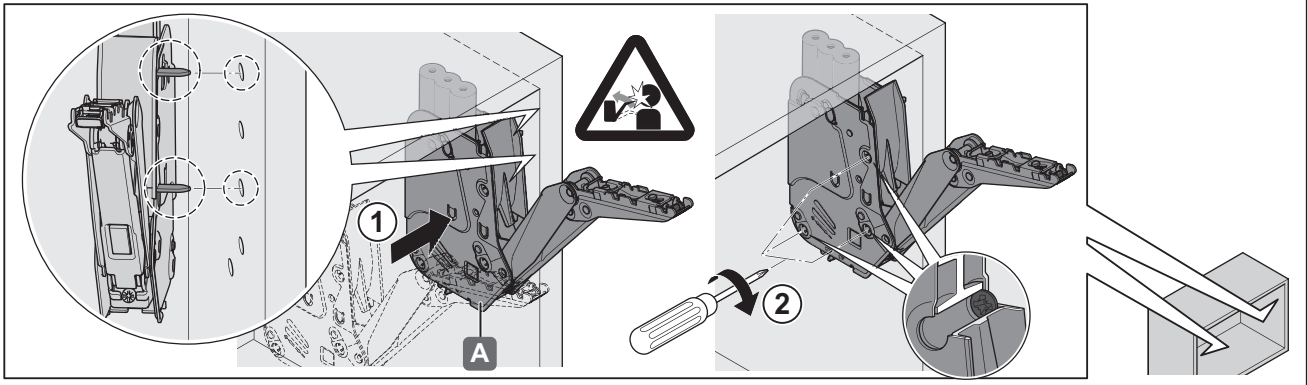
12.0001.010.380.0000.00

HDE 19.12.2012

3



PZ 2

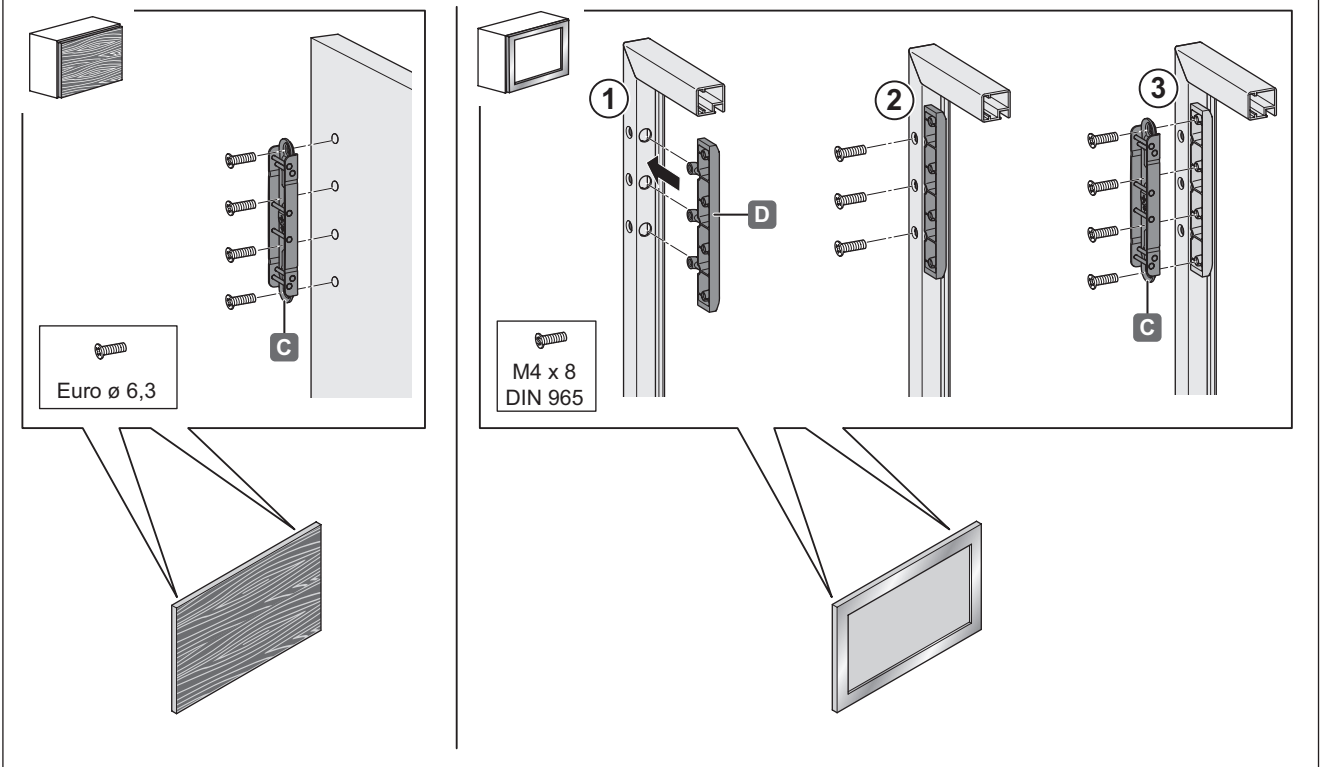


4

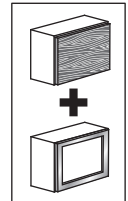
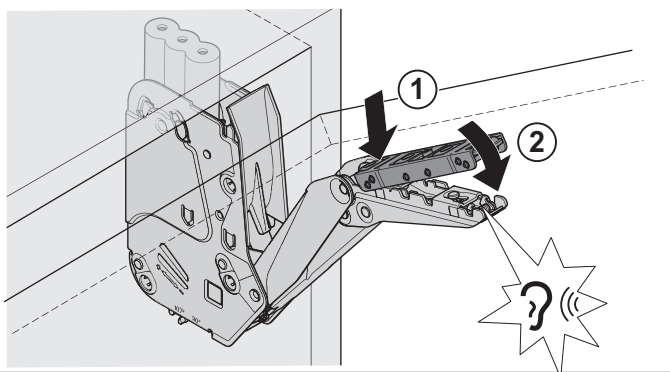
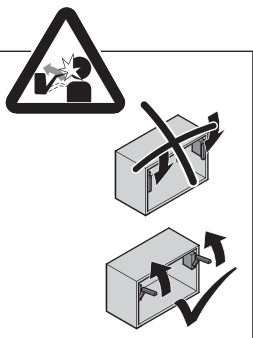


PZ 2

mm



5

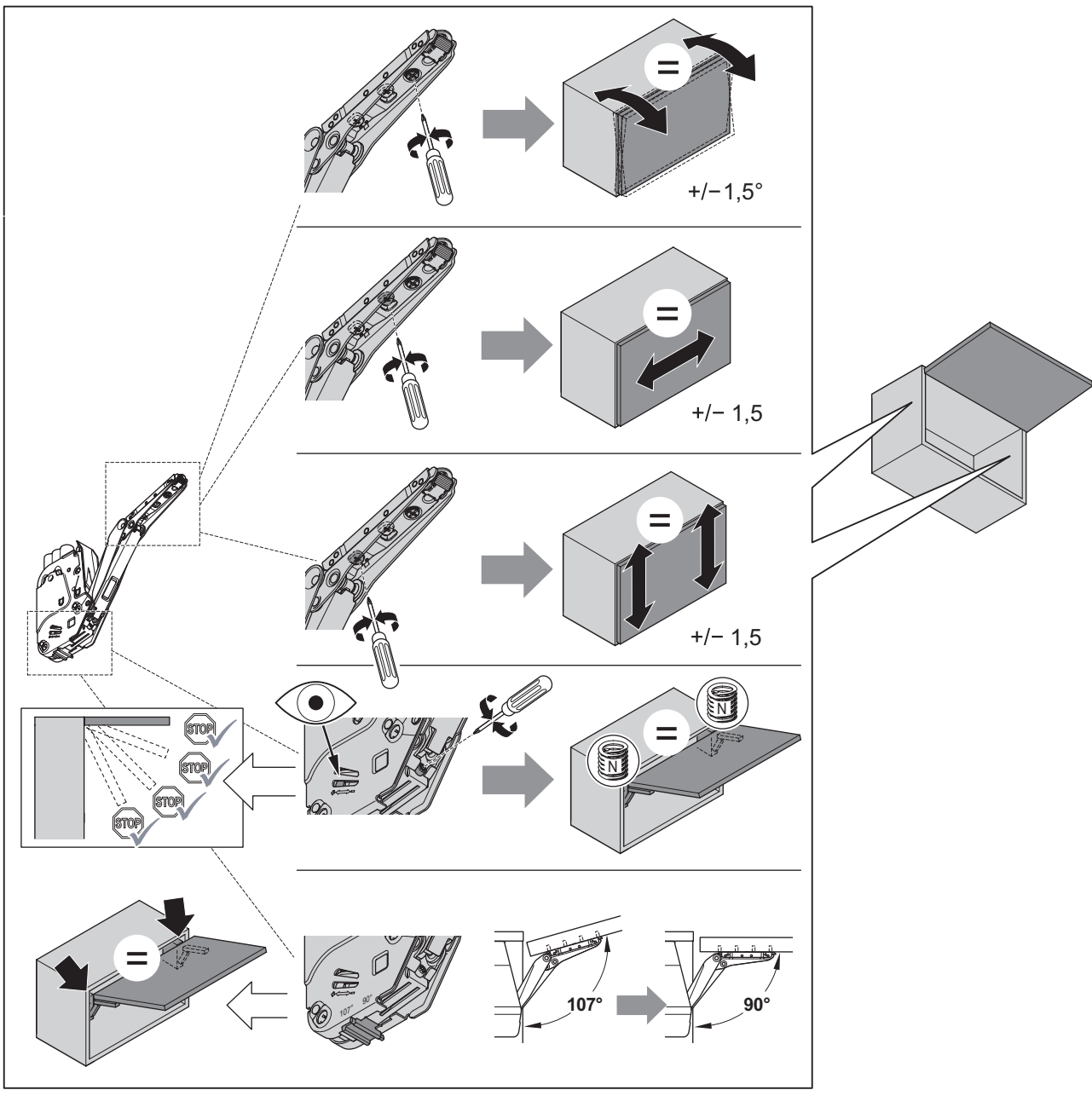


732.23.010

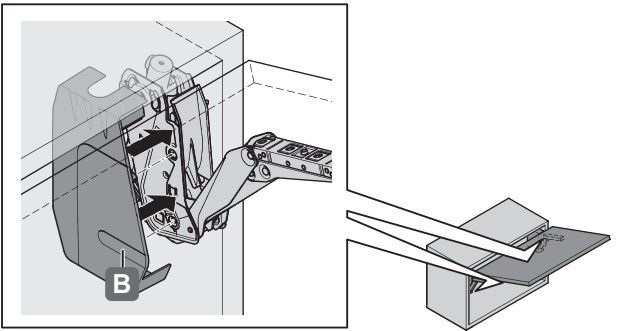
12.0001.010.380.0000.00

HDE 19.12.2012

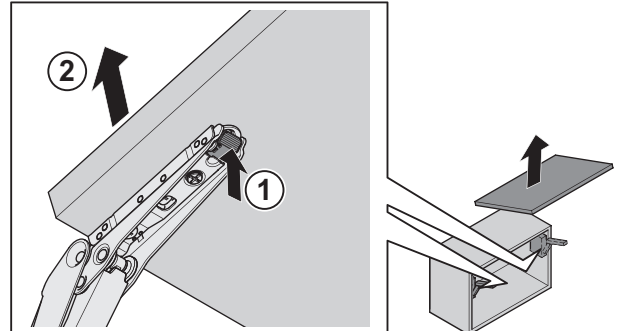
6



7



i



732.23.010

12.0001.010.380.0000.00

HDE 19.12.2012